

MIRAGE Product Data Sheet



4621 East 75th Terr. Kansas City, MO 64132

Phone (816) 300 2828 | Fax (816) 300 0864

e-mail livers@liversbronze.com

1. PRODUCT NAME

Handrailing system bearing the name MIRAGE

2. MANUFACTURER

Livers Bronze exclusively manufactures the handrailing system as described on this sheet.

3. BASIC USE

Livers Bronze MIRAGE system is a pre-engineered component based railing system, shipped to the jobsite ready to install.

LIMITATIONS: MIRAGE railing system is only limited by the materials from which it is fabricated.

Pre-engineered railing should be assembled using the components listed:

POST ASSEMBLIES: 42" high guardrail post for 3/8" tempered glass infill applications. Post is stainless steel spaced at 4' - 0" O.C. maximum.

42" high guardrail post for perforated metal infill applications. Post is stainless steel spaced at 4' - 0" O.C. maximum.

42" high guardrail post for 3/16" stainless steel cable. Post is stainless steel spaced at 4' - 0" O.C. maximum.

HANDRAIL OPTIONS: Top rail is 1 1/2" diameter stainless steel or 2" diameter hardwood (specify species). Handrail is 1 1/2" diameter stainless steel.

INFILL OPTIONS: 1/8" perforated aluminum panels selected from Livers Bronze standard perforated panel styles.

3/8" tempered glass furnished by Livers Bronze for attaching to posts.

3/16" stainless steel cable furnished by Livers Bronze for attaching to posts.

FINISHES: Circular grain satin finish is standard for stainless steel railing and posts. Perforated metal infill panels are furnished with a powder coated finish selected from Livers Bronze standard color selection.

4. TECHNICAL DATA

The MIRAGE railing system is designed to meet performance criteria as outlined in IBC 2012.

5. INSTALLATION

Livers Bronze MIRAGE railing system must be attached with fasteners and to surfaces that are approved or selected by the manufacturer, and must be detailed on all shop drawings.

6. AVAILABILITY AND COST

AVAILABILITY: MIRAGE railing system is subject to current delivery schedules. Each project must be reviewed before scheduling is available.

COST: Varies according to quantity and material. Further information may be obtained from Livers Bronze or one of its authorized representatives.

7. GUARANTEE

Livers Bronze warrants that its MIRAGE railing system is of sound quality, conforming to standards as stated in part 4 hereof and is reasonably free of defects in material and workmanship. Inasmuch as Livers Bronze has no control over the installation of its products, no other warranty is expressed or implied. Livers Bronze does not warrant against glass breakage.

8. MAINTENANCE

The surface of Livers Bronze material can be kept clean by the use of ordinary soaps and mild cleansers. Abrasive cleaners should not be used.

9. TECHNICAL SERVICES

Technical services are rendered direct from Livers Bronze in Kansas City, Missouri.

MIRAGE Product Data Sheet



Perforated Metal Infill



Cable Infill



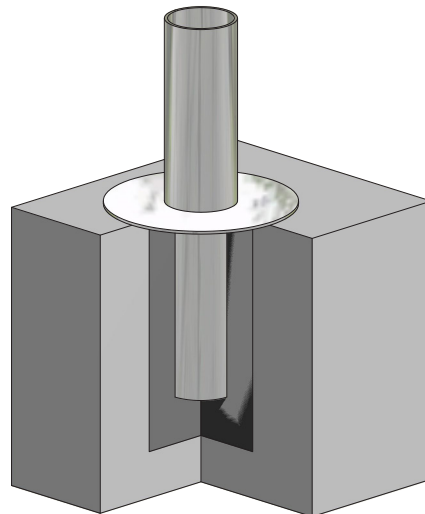
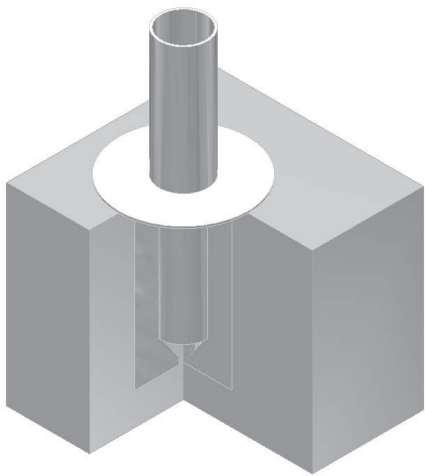
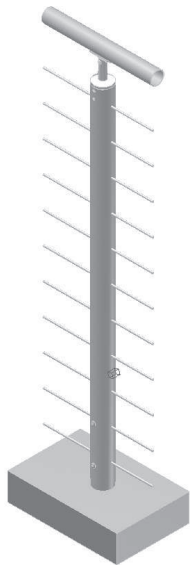
Picket Infill



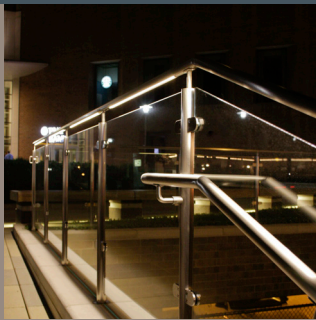
4621 East 75th Terr. Kansas City, MO 64132

Phone (816) 300 2828 | Fax (816) 300 0864

e-mail livers@liversbronze.com



MIRAGE Product Data Sheet



Illuminated Glass Infill



Cable Infill



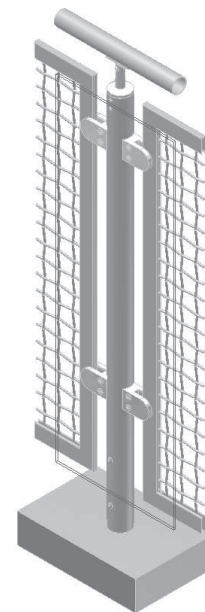
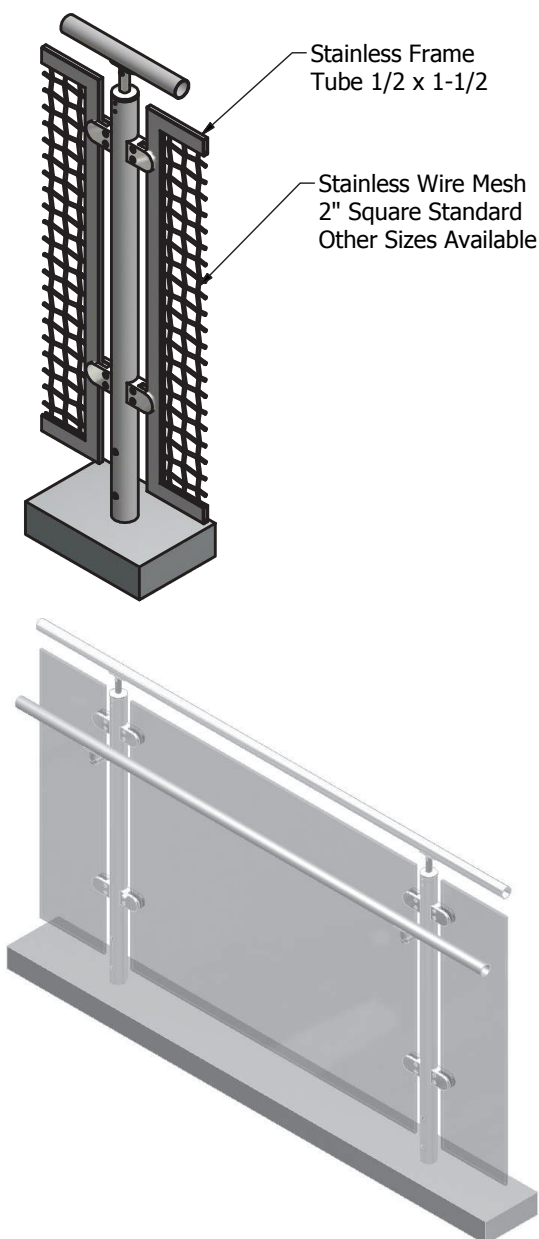
Picket Infill

LIVERS
BRONZE

4621 East 75th Terr. Kansas City, MO 64132

Phone (816) 300 2828 | Fax (816) 300 0864

e-mail livers@liversbronze.com



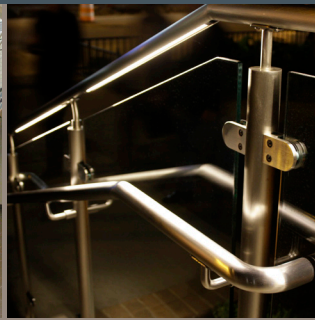
MIRAGE Product Data Sheet



Glass Infill



Cable Infill



Illuminated Glass Infill



4621 East 75th Terr. Kansas City, MO 64132

Phone (816) 300 2828 | Fax (816) 300 0864

e-mail livers@liversbronze.com

