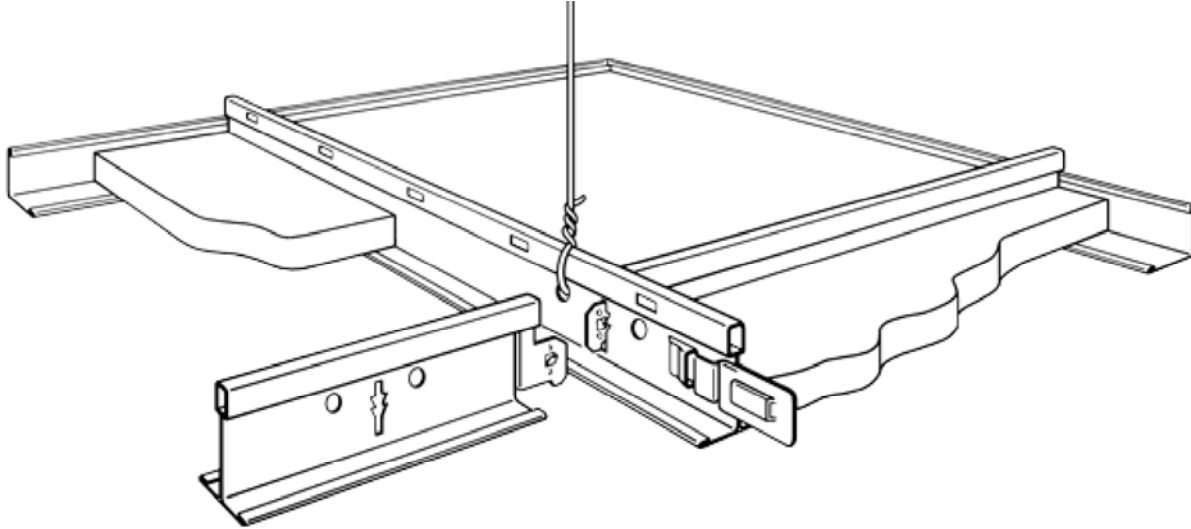


# SUSPENSION SYSTEMS

SHARE

200 Snap-Grid™ tees with 15/16" exposed face are available in Intermediate and Heavy-Duty designs and suitable for use with industry standard acoustical panels and diffusers. Snap-Grid is flame spread Class A and Snap-Grid hook tees install quickly and are easily demountable.



**Material**

Body: HD Galvanized  
Cap: Galvanized

**Colors**

[Color range](#)

**Fire performance**

US

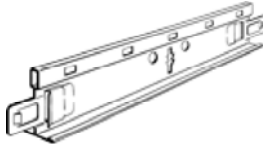
-

CA

-

**Seismic zones**

Zones: 1 & 2 / Categories: A, B & C

Components	Product number	Component size			Comments	Packaging
		Length	Height	Face		
Main tees						
	211.01Z	12'	1 1/2"	15/16"		
	200.XXZ.01	12'	1 1/2"	15/16"		
	216.01H	10'	1 1/2"	15/16"		
	299.01H	10'	1 1/2"	15/16"		
Cross Tees - Hook - Butt Cut						
	229.01Z	2'	1 1/2"	15/16"		
	209.01Z	4'	1 1/2"	15/16"		

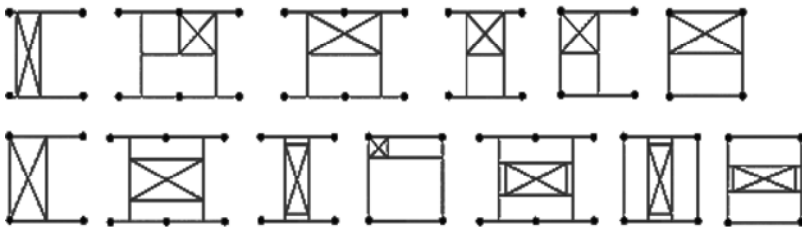


209.01Z	4'	9.1		
207.01H	5'		8.5	
278.01H	8'			1.8
Main tees				
216.01H	10'	ID	6	4
299.01H	10'	ID	6	4
211.01Z	12'	ID	6	4
200.XXZ.01	12'	HD	8.9	5.6

**LIGHT FIXTURES MAIN & CROSS TEES - ALLOWABLE FIXTURE WT. - LBS.**

Dimensions	200 Snap-Grid		
	200	211	299
	207	209	207
1' x 4'	32.4	56.4	
2' x 2'	29.2	34.8	
2' x 4'	40.8	47.2	
2' x 5'	40.8		
3' x 3'	63.0		
20" x 48"			37.6
20" x 60"			37.6

**Hanger Positions for Non-Fire Rated Situations**



This illustrates hanger positions for single fixtures in a field. Provide extra hangers for tandem fixtures.

## DOCUMENTS

---

### Product Documentation

[Buy American Provision \(Section 1605 of the American Recovery and Reinvestment Act of 2009\) - Suspension Systems](#)

[Ceiling solutions that bring color to life](#)



[LEED Letter Request Form](#)

[Material Safety Data Sheet \(MSDS\) - Suspension Systems](#)

[Rockfon® Products At-a-Glance](#)

[Submittal - Chicago Metallic™ 200 Snap-Grid \(Hook\) 15/16"](#)

[Submittal - Suspension System Accessories](#)

[Submittal - Suspension System Wall Angles](#)

### Product Guides

[Specification Guidelines](#)

[Installation Guides](#)

[Warranty](#)

[Links](#)

## SAMPLES

---

Choose kit

